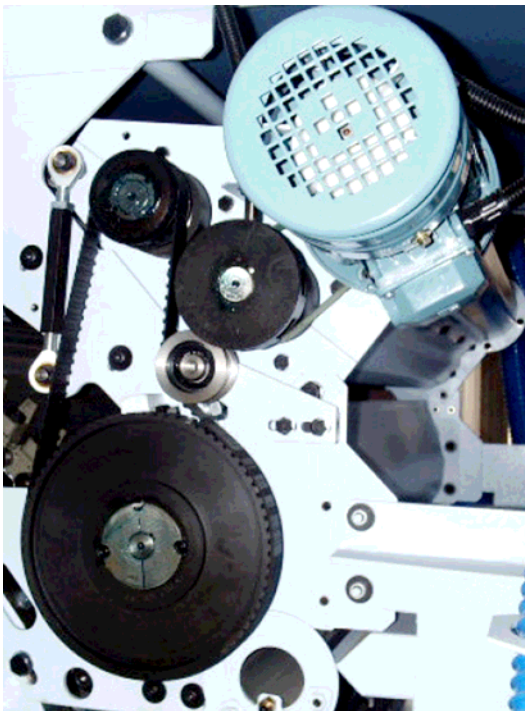


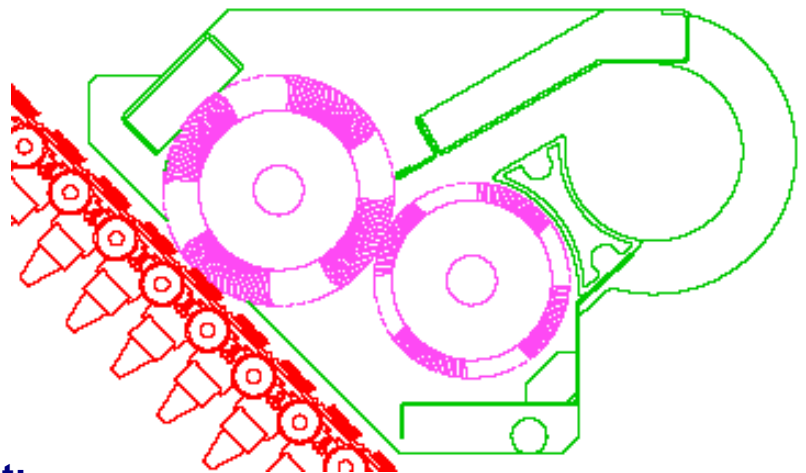
## Rotary Flats Cleaning Unit

The Crosrol Rotary Flats Cleaning unit provides constant Flat Strip removal from high population Flat wires resulting in cleaner Revolving flats re-entering the carding zone.



As the point population of Revolving flats ever increases, Traditional style osculating brushes become ineffective at removing Flats strips, The new type Rotary Flats cleaning unit provides a constant cleaning motion which is able to better penetrate the densely populated modern Flat wires thus removing the Flats strips more effectively.

The new unit provides a twin Brush system, The first brush rotates slowly and gently penetrates the Flat wires, a secondary high speed brush gently sweeps the Flats strips away to dedicated extraction system.



### Parts included in the Change Kit: -

- Rotary Flats Cleaning Unit (fully assembled) including pre-mounted wire fillets.
- Drive motor with associated cabling and control circuit breakers.
- Drive Pulleys and Belts.
- Full instructions on how to assemble the new Rotary Flats Cleaning unit to your old Carding machine.